

# SELECT SURFACES®

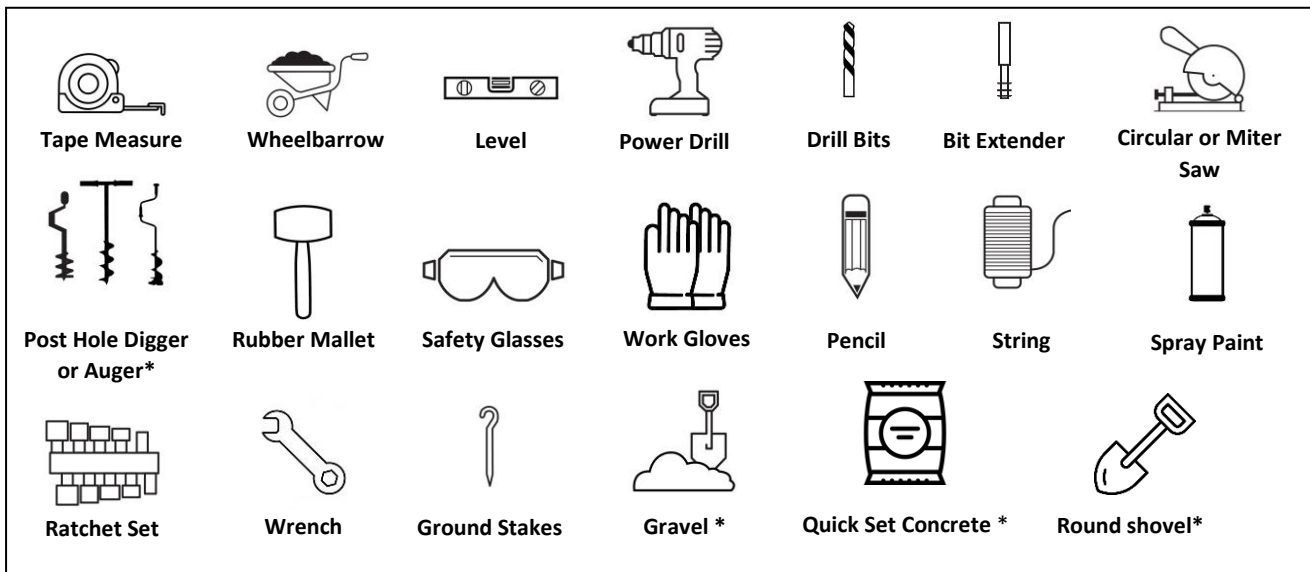
## Composite Privacy Fencing Installation Guide

### READ ALL INSTRUCTIONS CAREFULLY BEFORE BEGINNING THE INSTALLATION

Important: Contact your local authorities prior to digging any post holes to locate and identify possible buried utilities.

Prior to installation, it is the responsibility of the installer to meet all code and safety requirements, and to obtain all required building permits. Contact your local authorities regarding any local zoning laws, neighborhood associations and/or historic districts that may regulate size, type, placement, and ability of fencing. Ensure compliance before starting your fence installation. Select Surfaces™ and its distributors shall not be held liable for improper or unsafe installations.

### TOOLS AND MATERIALS (NOT INCLUDED)



\*For In-Ground Installation only

### PREPARATION

Determine the full placement of the fencing area, and where it will contact grass or concrete surfaces. Ensure you use the corresponding posts required. For grass contact, you will need 8' (243.84 cm) in-ground posts and for concrete surfaces, you will need 6' (182.88 cm) surface mount posts with post base. Ensure you have the right number of boards and components per section. Plan and make any necessary adjustments for odd widths at the back corners or build partial sections equally. Example: if you have 8' (243.84 cm) left in a run, consider building two 4' (121.92 cm) sections rather than a 6' (182.88 cm) and a 2' (60.96 cm). Determine the number of posts including the gate post and the gate location (if applicable).

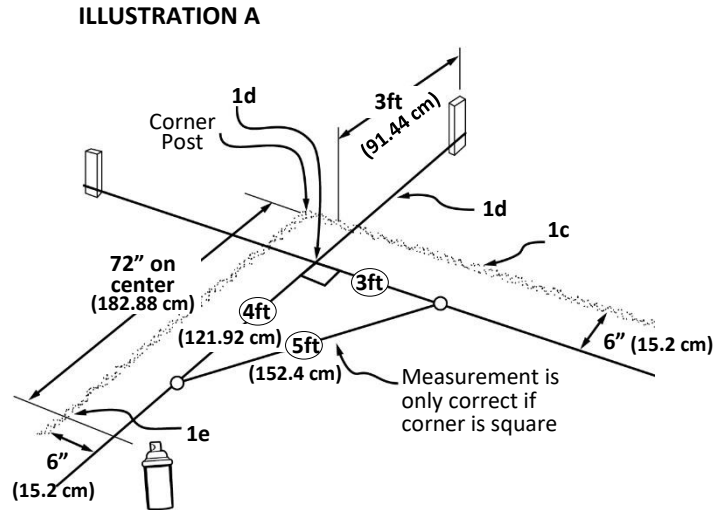
## FENCE LAYOUT

### Step 1: Determine the full layout of the fence perimeter

1a. Identify the property line and determine the perimeter of the total area to be fenced.

1b. Using a tape measure, determine the length of each fence run.

1c. Use stakes placed 6" (15.2 cm) inside of the proposed area. Extend the corner stakes an additional 3' (91.4 cm) laterally past the desired corner post location to avoid the string lines when digging corner post holes.



1d. String together the stakes area and verify that the corners are square using the 3' x 4' x 5' (91.44 cm x 121.92 cm x 152.4 cm) method. Fence corners are determined by where strings will intersect. (See illustration A)

- **3' x 4' x 5' (91.44 cm x 121.92 cm x 152.4 cm) method:** On one side of a corner, measure 3' (91.44 cm) (or some multiple of 3) from the corner and make a mark. On the opposite side of the corner, measure 4' (121.92 cm) (or the same multiple of 4) from the corner and make a mark. Next, measure between the two marks. If the distance is 5' (152.4 cm) (or the appropriate multiple of 5), your corner is square.

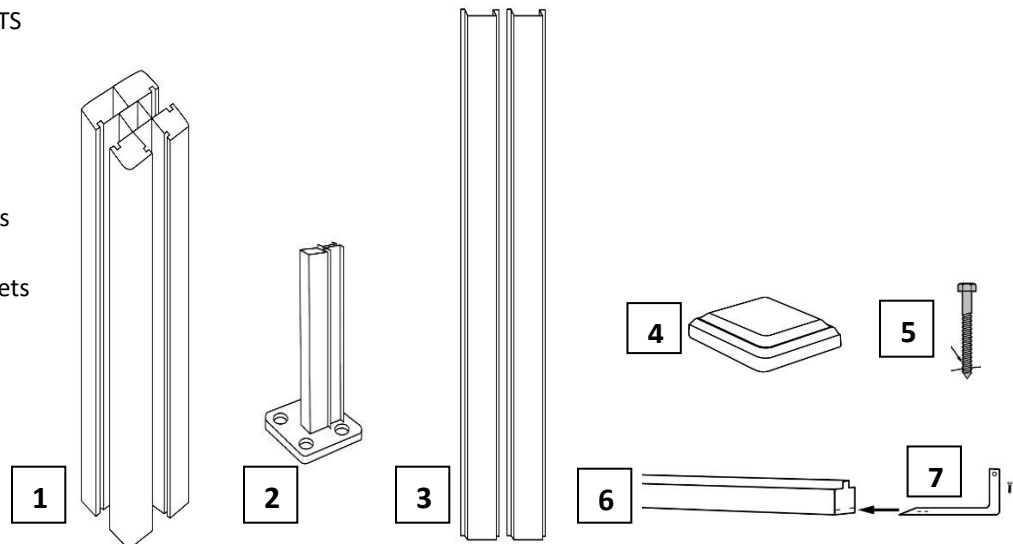
1e. Mark the locations of each post and measure the appropriate distance between them. 72" (182.88 cm) from post center to post center.

1f. Mark the gate location and size. For the gate, the distance should be smaller and should not exceed 64.8" (164.5 cm) from gate post center to post center. Ensure to place proper post at each location.

## FENCE POST INSTALLATION – SURFACE MOUNT INSTALLATIONS (EXISTING FOUNDATION)

### REQUIRED COMPONENTS

1. Fence Post
2. Post Base
3. Post Covers
4. Post Cap
5. Expansion Bolts
6. Bottom Rail
7. Long "L" Brackets



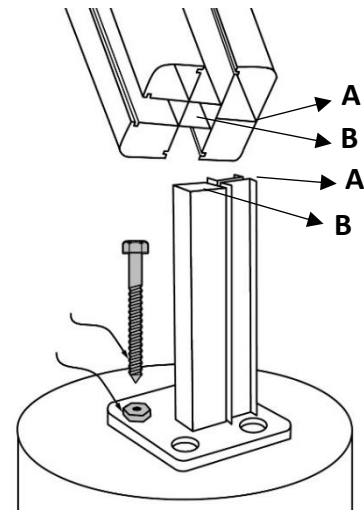
## Step 1: Mounting post base (onto existing foundation) NOT in-ground

- 1a. For surface mount installations such as a patio, confirm that the surface is level.
- 1b. Ensure you have created your fence perimeter. If the layout has 90° degree corners, ensure the corners form 90° degree angles.
- 1c. Mark the positions for post bases in corners first, along the outlined perimeter.
- 1d. Measure and ensure the spacing between the corner post and line post base is correct. The center spacing between post bases should be 72" (182.88 cm). For the gate, the distance should be smaller and should not exceed 64.8" (164.5 cm) from gate post center to post center.

**NOTE:** Layout the post spacing so that minimal cutting of fence boards is required.

- 1e. Once you have confirmed the proper spacing, use a spray paint to mark the positions of all the post bases.
- 1f. Starting with corner or end post, position the base and pre-drill into the concrete or deck through the base using 3/8" x 4" (9.5 mm x 101.6 mm) bit.
- 1g. Drill in expansion bolts to secure the post base to foundation. Use a level to confirm that each base is mounted at a 90° degree angle (See Illustration B).

ILLUSTRATION B



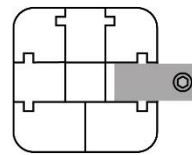
## Step 2: Mounting post (onto existing foundation) NOT in-ground

- 2a. Post preparation: Ensure that the post cap and the channel covers are removed before installing the posts to the post bases.
- 2b. Determine end, line or corner post and install accordingly depending on the placement. (See illustration C)
- 2c. Slide the post over the mounted post base. Align points A and B of the post to the points A and B of the base and place the post onto the base. (See illustration B)
- 2d. Using the level, confirm that the post is mounted at the proper 90° degree angle.

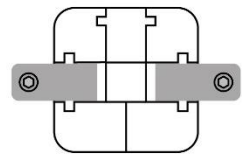
**CAUTION:** Prior to securing the posts in place, insert the bottom rail to ensure proper spacing between the posts.

ILLUSTRATION C

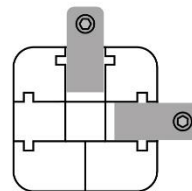
### UNIVERSAL POST APPLICATIONS



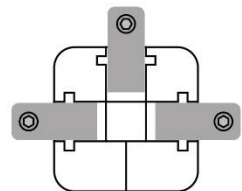
END POST



LINE POST



CORNER POST



"T" POST

## Step 3: Installing the bottom rail

- 3a. Slide the 2 long "L" brackets into the post channel down to bottom (short side facing up) and mark for holes placement. Slide out the "L" brackets from the post.
- 3b. Follow markings and pre-drill holes for screws of "L" brackets into the post channel with a 1/8" (3.2 mm) drill bit.

3c. Position the “L” brackets on top of flat part of bottom rail (short side facing out) and mark holes placement. Pre-drill holes.

3d. Slide the “L” brackets into slots at the end of the bottom rail and use pre-drilled holes to secure “L” brackets in place. (See FENCE POST INSTALLATION – GROUND CONTACT, REQUIRED COMPONENTS, illustrations 6 and 7).

3e. Slide the bottom rail down through the post channels to the bottom. Ensure the spacing between the posts is correct before securing the bottom rail.

3f. Screw the bottom rail with L brackets into the pre-drilled post holes.

## FENCE POST INSTALLATION – IN-GROUND INSTALLATIONS (NO FOUNDATION)

### Step 1: Mounting post in-ground (NO foundation)

1a. Post preparation: Ensure that the post cap and the channel covers are removed before installing the posts.

1b. Starting with corner or end post, dig first 2 holes. Minimum 30” (76.2 cm) deep x 8” (20.32 cm) in diameter. Note that colder climates will require a deeper hole to pass the frost line. Please consult your local frost line depth map to determine your hole digging depth. Spacing of holes should not exceed 72” (182.88 cm) from post center to post center. For the gate, the spacing should be smaller and should not exceed 64.8” (164.5 cm) from gate post center to post center.

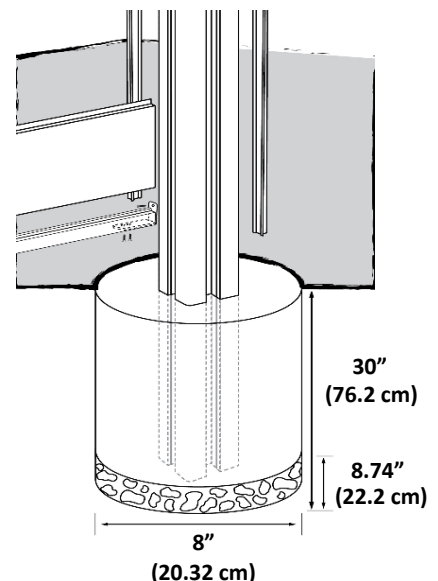
**NOTE:** Layout the post spacing so that minimal cutting of fence boards is required.

1c. Once you have confirmed the proper spacing, use spray paint to mark the positions of all the posts.

1d. Add 8.74” (22.2 cm) of drainage gravel to the bottom of the holes.

1e. Measure and insert the posts into both holes at 74.8” (190 cm) down from top of the post to ground and mark.

**ILLUSTRATION D**



**CAUTION:** Prior to securing posts in place, insert the bottom rail to ensure proper spacing between posts.

1f. Add around 100 lbs. (45.36 kg) of quick-set concrete per hole. Level and straighten the posts frequently as the concrete dries.

1g. Ensure that concrete is fully dry before proceeding to the rails and fence boards installation.

### Step 2: Installing the bottom rail

1h. Slide 2 long “L” brackets into the post channel down to marking at bottom (short side facing up) and mark the posts for “L” bracket holes placement. Slide out the “L” brackets from the post.

1i. Follow markings and pre-drill the holes for the screws of the “L” brackets into the post channel with a 1/16” (2mm) drill bit.

1j. Position the “L” brackets on the top of the flat part of the bottom rail (short side facing out) and mark the holes placement. Pre-drill the holes. Beware that the “L” brackets for the bottom rail are different from the top rail.

1k. Slide the “L” brackets into the end of the bottom rail and use the pre-drilled holes to secure the “L” brackets in place. (See Illustration D)

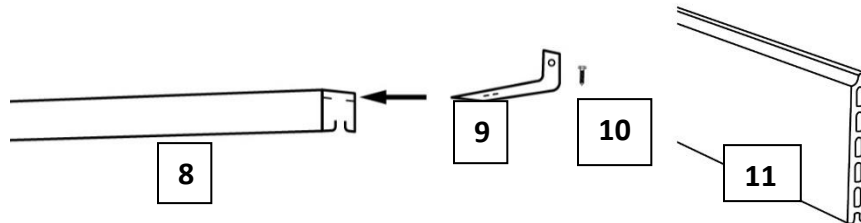
1l. Slide the bottom rail down through the post channels to the bottom. Ensure the spacing between the posts is correct and that the rail is level before securing the rail.

1m. Screw the bottom rail with “L” brackets into the pre-drilled post holes.

## INSTALL FENCE BOARDS & FINISH FRAMING

### REQUIRED COMPONENTS

- 8. Top Rail
- 9. Short “L” Brackets
- 10. Screws
- 11. Fence Boards



### Step 1: Install fence boards and finish the framing.

1a. Insert the fence boards by sliding them one at a time and fitting them into the post channel with the tongue facing up.

1b. Position the 2 short “L” brackets on top of the flat part of the top rail (short side facing out) and mark the holes placement. Pre-drill the holes. Beware that the “L” brackets for the bottom rail are different from the top rail.

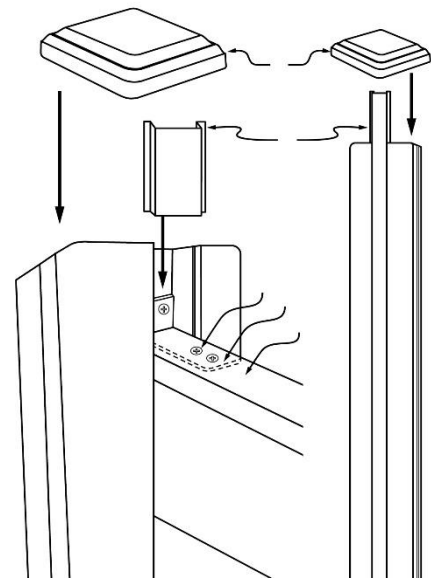
1c. Slide the “L” brackets into the end of the top rail and use pre-drilled holes to secure the “L” brackets in place with black screws. (See Illustration E)

1d. Place the top rail on top of the final board (grooved side facing down). Use a rubber mallet to tap down and secure in place. Secure in place with screws.

1e. Insert the post channel covers into the unused post channels and place the cap on top of the post. You may need to cut the channel covers to ensure a proper fit. Use a rubber mallet to tap down and secure in place.

**REPEAT THE STEPS ABOVE FOR EACH FENCE SECTION UNTIL THE FENCE IS COMPLETE.** Keep in mind the location of the fence gate.

ILLUSTRATION E



## CARE & MAINTENANCE

Step 1 – Using a non-abrasive sponge, apply soapy water to the fence.

Step 2- For stubborn dirt and residue, scrub the fence boards using a cleaning brush. Scrub the boards in the direction of the wood grain.

Step 3- Rinse the fence with water and let dry.

Step 4- If fence boards are still dirty, a pressure washer can be used. NOTE: Keep the nozzle of the pressure washer at least 12" away from the fence.

## SLOPED TERRAIN

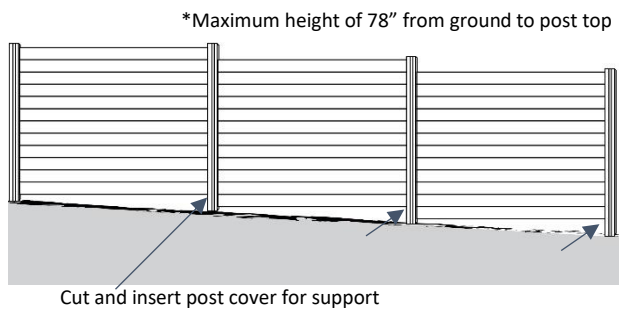
### Determining the slope

If your yard is not completely flat and has a sloped terrain, please refer to the following. Before purchasing materials for your fencing project, take some time to determine the slope of your yard. Place ground stakes at the end points along the perimeter of your yard where you will install your fence. Tie a string to each stake connecting both ends of the area. Ensure the line is level and straight. Take a water level to help you determine if the line is level. You may need to place more than 2 stakes if your slope is extra steep, to ensure you get an accurate reading.

Depending on how steep the slope is, you can then proceed with either a Stepped Fence, Rack Fence, or Straight Fencing.

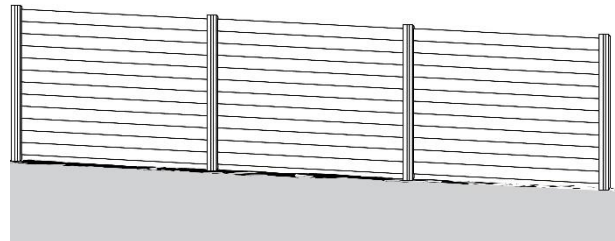
### Stepped Fencing:

Best suited for yards with very steep hills. Each fence section is installed to be parallel to the next, following the rise and run of the slope. Result will have the look of steps on a staircase. **CAUTION:** Stepped fencing will leave gaps at the bottom of each section and is not practical for those who need to guard their property from small critters or animals entering or exiting the garden or landscape.



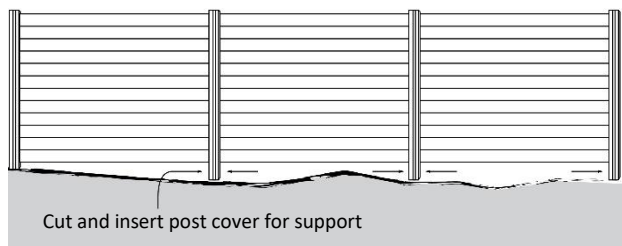
### Racked Fencing:

With racked fencing you will avoid having any gaps at the bottom as you would with stepped fencing. Keep in mind when ordering your materials for racked fencing that fence boards will need to cut at angles and will shorten the fence sections thus requiring extra materials. This type of fencing is more time-consuming to install but is easier to conform to the rise and run of your slope. This is also the best fencing for steep yards and people who want to contain their pets or keep other animals out.



### Straight Top Fencing:

Straight top fencing will result in increasingly larger gaps at the bottom of your fence but the tops of each section will be in line with each other. This will not contain pets or keep animals out. This is a great style of fencing for long runs on open land or business properties.



**WARRANTY**

Select Surfaces™ (“Select Surfaces”) warrants to the original residential purchaser (“Purchaser”, “you” or “your”) that, for a period of twenty-five (25) years from the date of original purchase, under normal residential use and service conditions, Select Surfaces™ composite fencing shall be free from material defects in workmanship and materials, and shall not split, splinter, rot, or suffer structural damage resulting from termites or fungal decay. For purposes of this warranty, a “residential purchaser” refers to an individual residential homeowner.

If a defect occurs within the warranty period, Purchaser shall notify Select Surfaces™ in writing and, upon confirmation by an authorized Select Surfaces™ representative of the defect, Select Surfaces’ sole responsibility shall be, at its option, to either replace the defective item or refund the portion of the purchase price paid by purchaser for such defective item (not including the cost of its initial installation). TO THE FULLEST EXTENT PERMITTED UNDER THE LAW, THIS WARRANTY SHALL NOT COVER AND SELECT SURFACES SHALL NOT BE RESPONSIBLE FOR COSTS AND EXPENSES INCURRED WITH RESPECT TO THE REMOVAL OF DEFECTIVE SELECT SURFACES PRODUCTS OR THE INSTALLATION OF REPLACEMENT MATERIALS, INCLUDING BUT NOT LIMITED TO LABOR AND FREIGHT.

The original residential purchaser must contact Select Surfaces™ customer service directly via phone at 1-855-250-8167 or via e-mail at [info@selectsurfaces.ca](mailto:info@selectsurfaces.ca) to obtain necessary warranty claim forms and official claim process. ORIGINAL PROOF OF PURCHASE MUST ACCOMPANY ALL WARRANTY CLAIMS. The original residential purchaser will be notified by Select Surfaces™ as to whether the warranty claim is approved or denied.

Replacement material will be provided that is as close as possible in color, design, and quality as the replaced material, but Select Surfaces™ does not guarantee an exact match as colors and design may change. If a valid warranty claim hereunder is made during years eleven (11) through twenty-five (25) after the original purchase, recovery will be prorated. If Select Surfaces™ is providing replacement materials, it may elect to replace the percentage listed below of boards otherwise meeting the requirements for a claim, or if it is refunding the purchase price, it may elect to refund the percentage listed below of the purchase price of boards otherwise meeting the requirements for a claim.

YEAR OF WARRANTY CLAIM	PERCENTAGE RECOVERY
11	80%
12	80%
13	80%
14	60%
15	60%
16	60%
17	40%
18	40%
19	40%
20	20%
21	20%
22	20%
23	10%
24	10%
25	10%

Select Surfaces™ does not warrant against and is not responsible for any condition attributable to: (1) improper installation of Select Surfaces™ and/ or failure to abide by installation guidelines, including but not limited to improper gapping; (2) use of Select Surfaces™ beyond normal and proper use, or in an application not recommended by Select Surfaces™ guidelines and local building codes; (3) movement, distortion, collapse or settling of the ground or the supporting structure on which Select Surfaces™ is installed; (4) any act of God (such as flooding, hurricane, earthquake, lightning, etc.), environmental condition (such as air pollution, mold, mildew, etc.), staining from foreign substances (such as dirt, grease, oil, etc.), or normal weathering (exposure to sunlight, weather and atmosphere which will cause any colored surface to gradually fade, chalk, or accumulate dirt or stains); (5) improper handling, storage, abuse or neglect by purchaser, the transferee or third parties; or (6) ordinary wear and tear.

**Conditions and Exclusions of This Warranty**

THIS WARRANTY MUST BE REGISTERED WITHIN 30 DAYS OF INSTALLATION WITH SELECT SURFACES™. THIS WARRANTY APPLIES ONLY TO THE ORIGINAL PURCHASER AND IS NON-TRANSFERABLE. THE AMOUNT OF YOUR RESTITUTION WILL NOT INCLUDE LABOR TO REMOVE EXISTING COMPONENTS OR INSTALL THE REPLACEMENT COMPONENTS, SHIPPING CHARGES, SALES TAX OR ANY OTHER CHARGES, NOR IS SELECT SURFACES™ REQUIRED TO PROVIDE SUCH LABOR OR SERVICE. THE MANUFACTURER RETAINS THE RIGHT TO DESIGNATE A REPRESENTATIVE TO INSPECT THE FENCE AND REMOVE SAMPLES FOR ANALYSIS.

REMOVING THE FENCE PRIOR TO INSPECTION VOIDS THE WARRANTY. THIS LIMITED WARRANTY IS IN LIEU OF ALL OTHER EXPRESS WARRANTIES. SELECT SURFACES™ MAKES NO OTHER EXPRESS WARRANTIES AND DOES NOT AUTHORIZE ANY OTHER PERSON OR AGENT TO MAKE ANY OTHER EXPRESS WARRANTIES. SELECT SURFACES™ NEITHER ASSUMES NOR AUTHORIZES ANY OTHER LIABILITY OR OBLIGATION IN WARRANTY, INCLUDING WITHOUT LIMITATION, THE IMPLIED WARRANTIES OF MERCHANTABILITY AND FITNESS FOR A PARTICULAR PURPOSE WITH RESPECT TO THIS PRODUCT, IS LIMITED IN DURATION TO THE TWENTY-FIVE (25) YEAR TERM OF THIS LIMITED WARRANTY. IN NO EVENT SHALL SELECT SURFACES™ BE LIABLE FOR ANY CONSEQUENTIAL, SPECIAL, OR INCIDENTAL DAMAGES ARISING OUT OF OR CONNECTED WITH THE PURCHASE OR USE OF THIS PRODUCT OR FOR ANY BREACH OF WARRANTY.

MAY HAVE OTHER RIGHTS THAT VARY FROM STATE TO STATE. THIS WARRANTY IS APPLICABLE ONLY TO COMPOSITE FENCES INSTALLED WITHIN THE CONTINENTAL UNITED STATES AND CANADA.