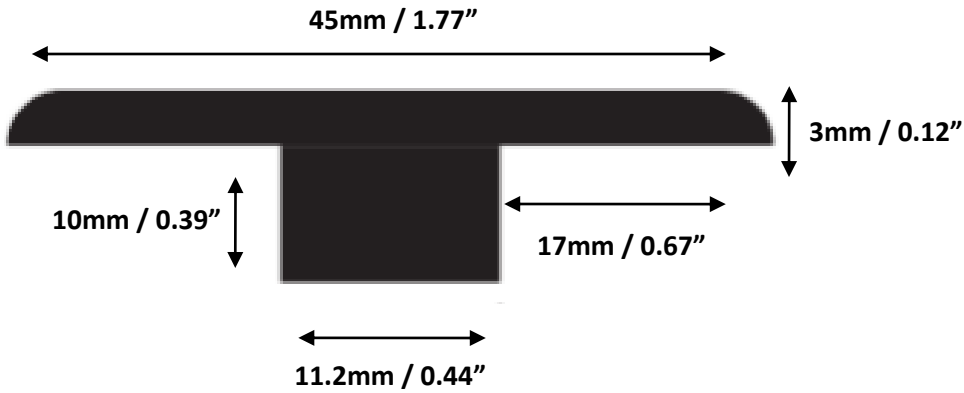
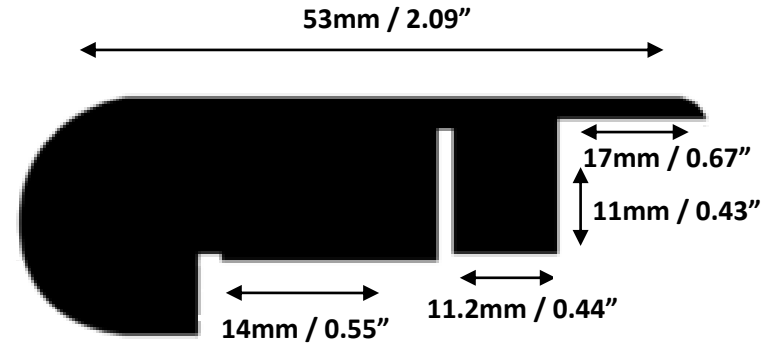


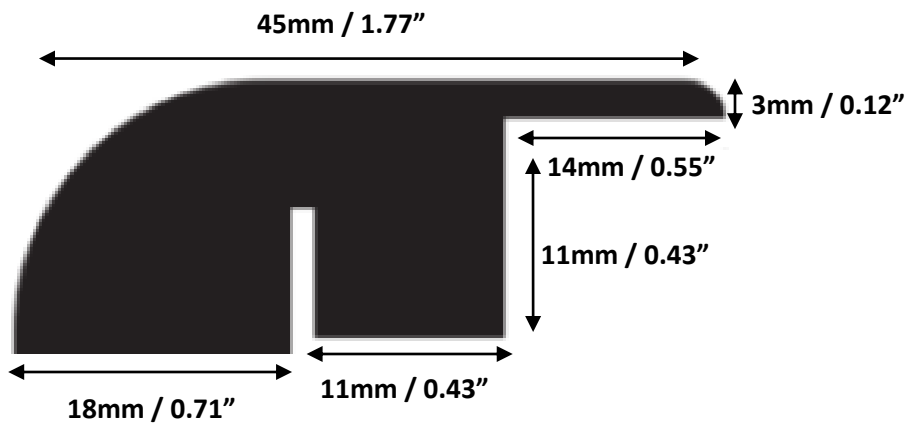
T-MOLDING



STAIR-NOSE



REDUCER



ENDCAP

